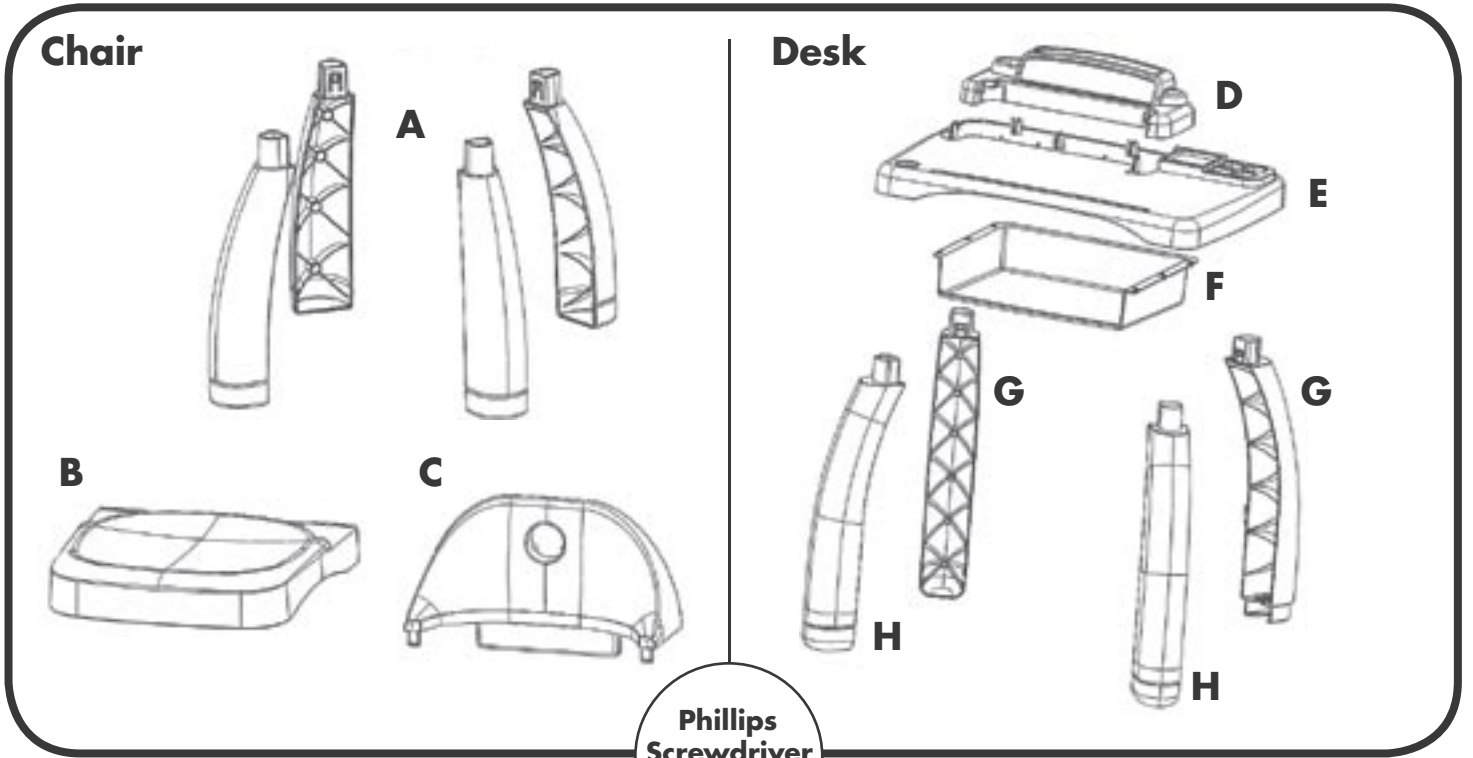




# MyFirst LeapPad Learning Desk

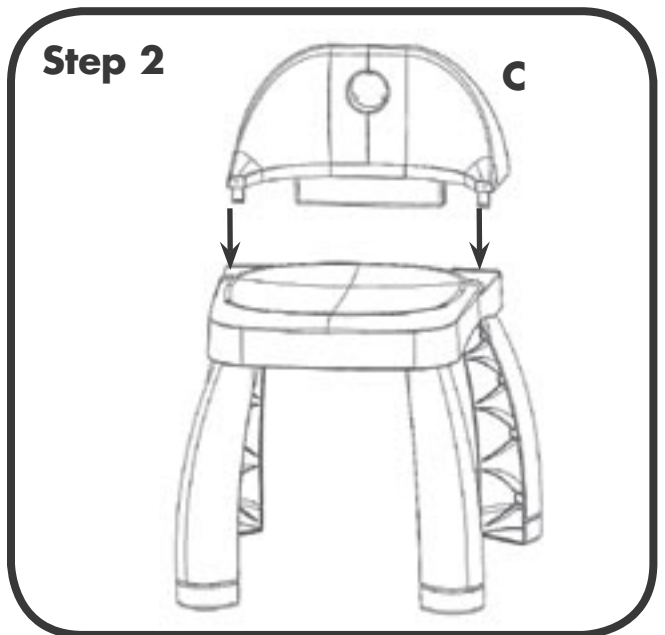
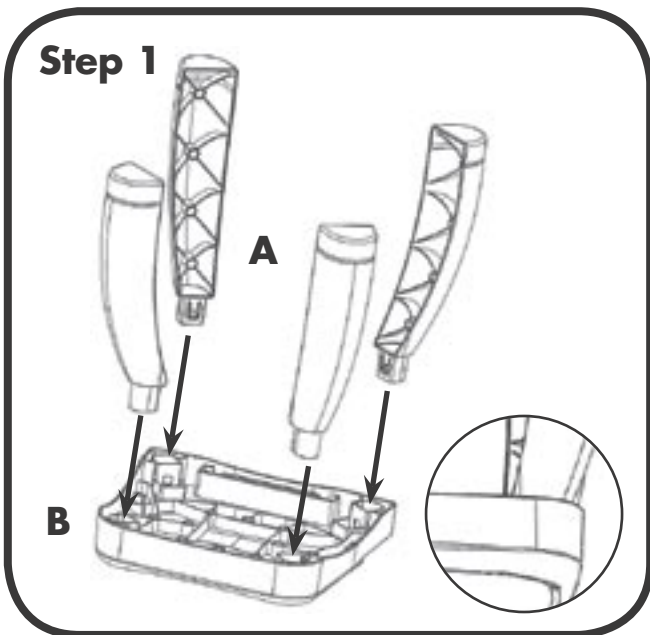
## Assembly Guide

### Included Parts



Phillips  
Screwdriver  
Needed

### Chair Assembly





# My First LeapPad Learning Desk

## Assembly Guide

### Desk Assembly

